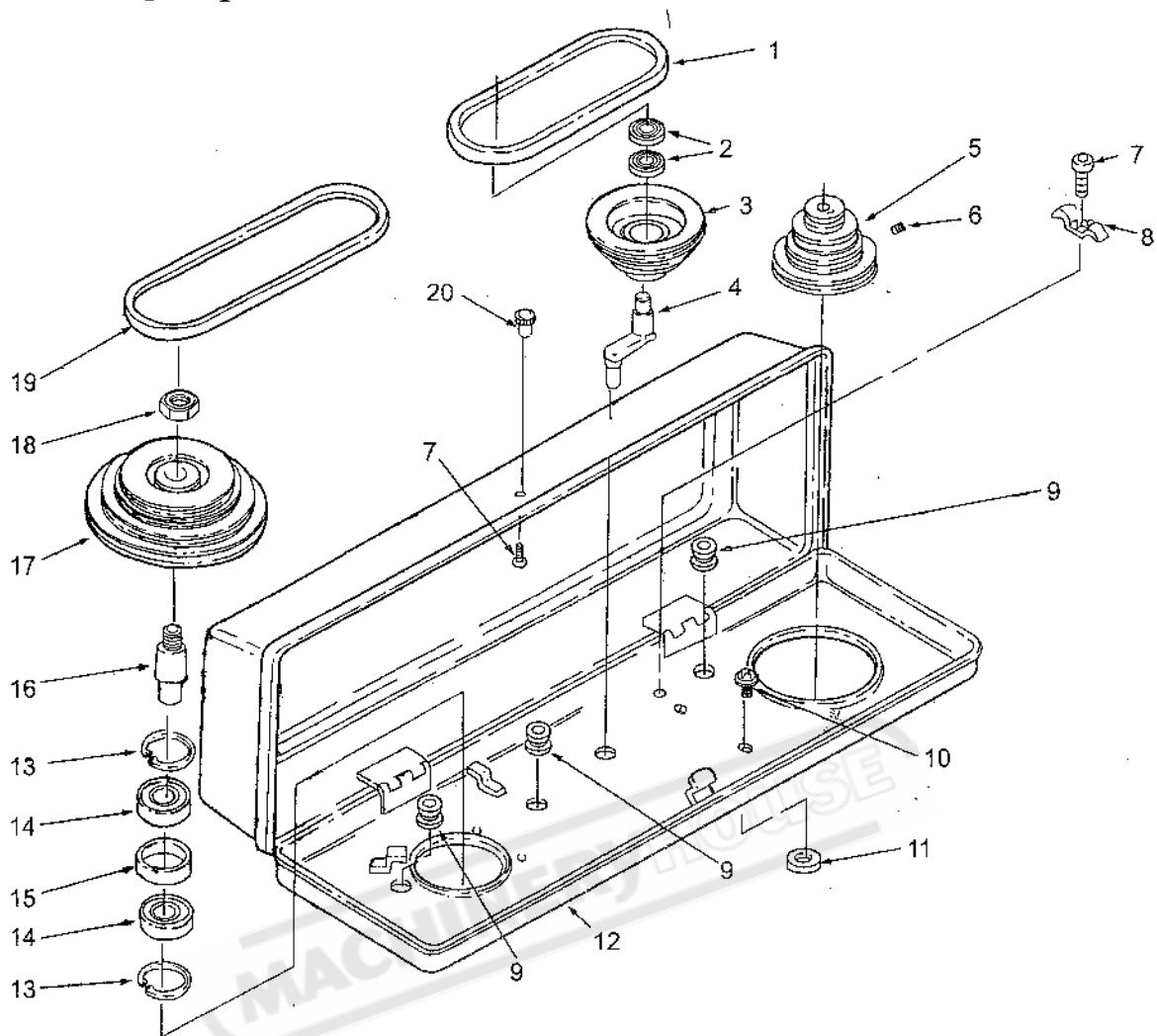


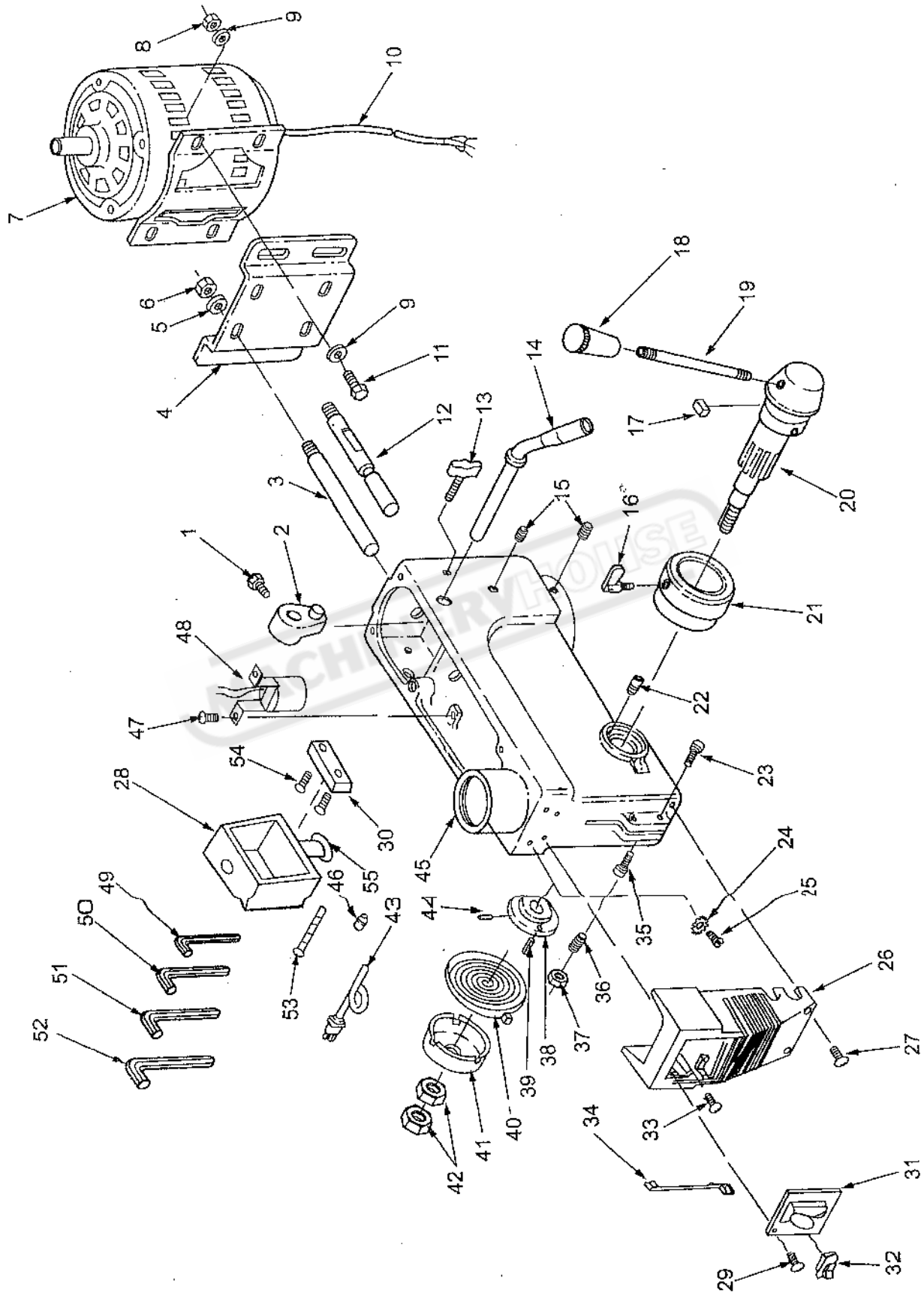
VIII Repair parts



PARTS LIST

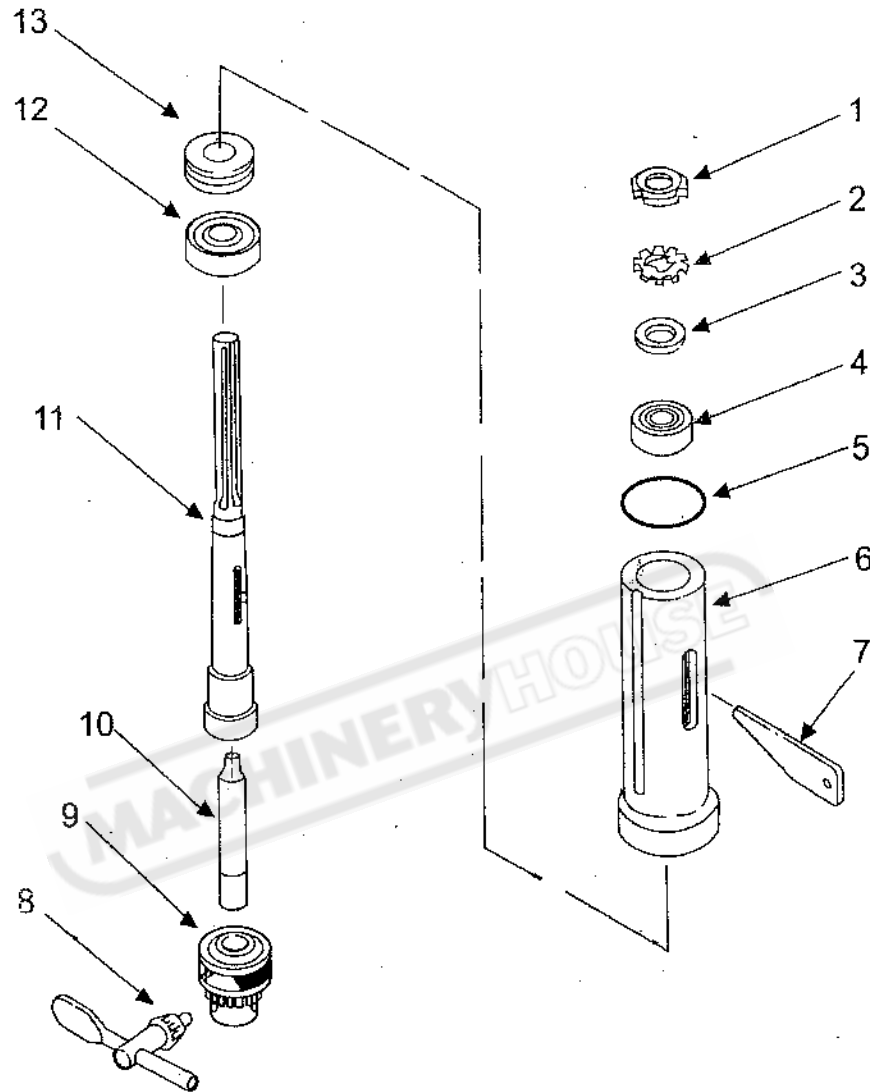
Item	Description	Part No.	Item	Description	Part No.
1	"V" Belt A29	16205011	12	Pulley Cover w/Labels	20105000
2	Ball Bearing 15mm	60202	13	Retaining Ring	20102024
3	Centre Pulley -	20105006	14	Ball Bearing 30mm	60206
4	Idler Pivot	20105007	15	Bearing Spacer	20102023
5	Motor Pulley -	20105005	16	Pulley Insert	20102022
6	Skt screw Set M8 x 12	GB80 - 85	17	Pulley Spindle -	20105009
7	Pan Hd. Screw M5 x 12	GB818 - 85	18	Pulley Nut	20102025
8	Cable Clamp	16102014	19	"V" Belt A33	20105010
9	Rubber Bushing	20105012	20	KNOB	16105008
10	Screw Rd. Washer Hd M6 x 12	GB9074.1-88			
11	Foam Washer	13105009			

VIII Head Assembly



Item	Description	Part No.	Item	Description	Part No.
1	Hex.Hd Screw M8×16	GB5781-86	28	Terminal Block	20102030
2	Adjusting Lever	16102006	29	Self Tap Screw ST4.2×9.5	GB845 - 85
3	Motor Bracket Support	20102003	30	Termination Block	20102031
4	Motor Mounting	16102007	31	Switch	
5	Lockwasher 12	GB93-87	32	Light Switch	RF1001
6	Hex. Nut. M12	GB6170-86	33	Pan Hd Screw M6×15	GB818 - 85.
7	Motor	20102020	34	Lead 3"	16102018
8	Hex. Nut. M8	GB6170-86	35	Skt. Hd. Screw Cap M8×25	GB70 - 85
9	Washer 8	GB97.1-85	36	Special Screw Set M10	16102021
10	Motor Cable	20102016	37	Hex Nut. M10	GB6170 - 86
11	Hex. Screw M8×40	GB5781-86	38	Quill Spring Seat	20104006
12	Motor Bracket Support	20102002	39	Roll Pin 6×16	GB879 -86
13	Belt Tension Lock Knob	16102005	40	Quill Spring	20104008
14	Belt Tension Lever	20102004	41	Spring Cap	20104007
15	Skt. Screw Set M10×12	GB80-85	42	Hex. Nut. M12×1.5	GB6173 - 86
16	Depth Screw Lock	16104012	43	Power cable	20102015
17	Scale guide	16104004	44	Roll Pin 2.5 - 10	GB879 - 86
18	Knob	20104011	45	Head w/ Pointer & Trim	20102001
19	Feed Handle	20104005	46	Connector Wire	13302019
20	HUB ASM	20104000	47	Pan Cr Screw M6×12	GB818 - 85
21	Depth Stop Collar/w/Scale	16104003	48	Bulb Socket	16102013 - 1A
22	Stop Pin	16104010	49	Allen Key 3	GB5356 - 85
23	Skt. Screw Hd. M8×30	GB70-85	50	Allen Key 4	GB5356 - 85
24	Lockwasher Ext. M5	GB862.1-87	51	Allen Key 5	GB5356 - 85
25	Pan Hd. Screw M5×6	GB818-85	52	Allen Key 6	GB5356 - 85
26	Switch Box	20102008	53	Pan Hd Screw M5×35	GB818 - 85
27	Pan Hd Screw Cr M6×35	GB823-85	54	Pan Hd Screw M4×6	GB818 - 85
			55	Strain Relief	20102032

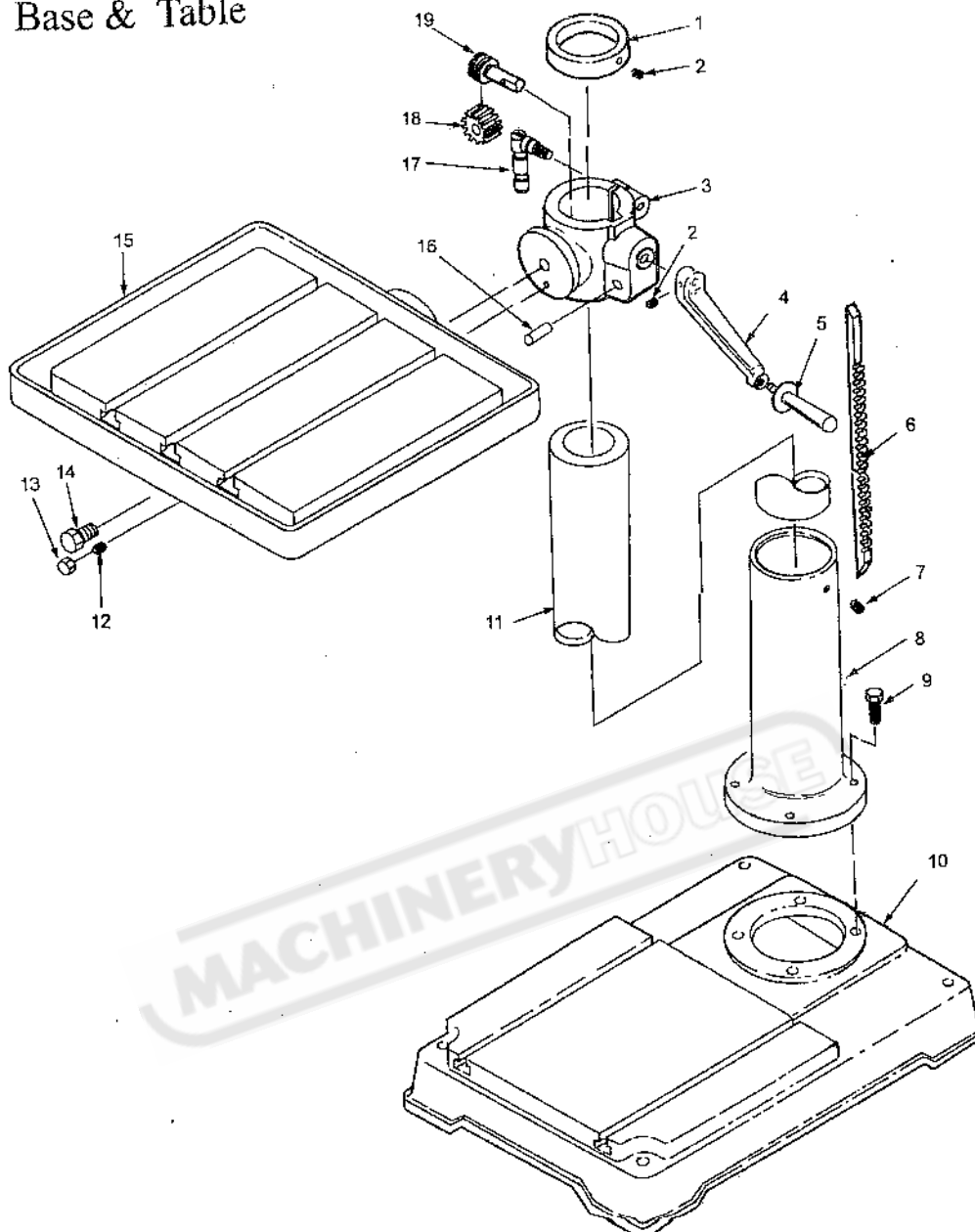
VIII Quill & Spindle Shaft



PARTS LIST

Item	Description	Part No.	Item	Description	Part No.
1	Lock Nut M20×1.5	20103005	8	Chuck Key	20103010
2	Locking Ring	20103004	9	Chuck	20103009
3	Washer	20103003	10	Arbour	20103007
4	Ball Bearing 20mm	60204	11	Spindle	20203001
5	Rubber Washer	20103006	12	Ball Bearing 30mm	60206
6	Quill	20103002	13	Bearing - Thrust	8706
7	Wedge Drift	16103008			

VIII Base & Table



PARTS LIST

Item	Description	Part No.	Item	Description	Part No.
1	Collar	20101011	11	Column	20101003
2	Hex. Skt Screw Set M6×10	GB80-85	12	Table Locking Pin	20101015
3	Table Support w/Indicator	20101004	13	Hex. Nut M8	GB6170-86
4	Crank	20101009-1	14	Hex. Hd. Screw M20×50	GB5781-86
5	Crank Handle	20101009	15	Table - w/Scale	20101014
		-2, 3, 4	16	Gear Pin	16101007
6	Rack	20101010	17	Clamp-Column	16101012
7	Hex. Skt Screw Set M10×12	GB80-85C	18	Helical Gear	16101006
8	Column Support	20101002	19	Worm	20101008
9	Hex. Hd Screw M12×40	GB5781-86			
10	Base	20101001			

NO.	DESCRIPTION	PART NO.	QTY	NO.	DESCRIPTION	PART NO.	QTY
1	BASE	20101001	1	52	NUT-HEX GB6170-86	M8	4
2	HEX.HD SCREW GB5781-86	M12×40	4	53	MOTOR MOUNT	20102007	1
3	HEX.SOC SCREW GB80-85	M10×12	2	54	LOCK WASHER GB93-87	12	2
4	SUPPORT COLUMN	20101002	1	55	NUT-HEX GB6170-86	M12	2
5	RACK	20101010	1	56	MOTOR	YC90L4-08	1
6	COLUMN TUBE	20101003	1	57	WASHER GB97.2-85	8	8
7	HANDGRIP	20101009	1	58	HEX.HD SCREW GB5781-86	M8×25	4
8	CRANK	20101009-1	1	59	HEX.HD SCREW GB5781-86	M8×16	1
9	TABLE SUPPORT	20101004	1	60	LEVER ADJUSTING	16102006	1
10	HEX.SOC SCREW GB80-85	M6×10	2	61	CLAMP CORD	16102014A	1
11	COLLOR RACK	20101011	1	62	SCREW PAN GB818-85	M5×10	1
12	WORM	20101008	1	63	SOCKET BYLB	16102013-1B	1
13	GEAR HELICAL	16101006	1	64	BRACKET BULB SOCKET	16102013-2A	1
14	CLAMP TABLE	16101012A	1	65	SEAT SPRING	20104006	1
15	GEAR PIN	16101007	1	66	SPRING TENSION	20104008	1
16	TABLE	16201014	1	67	RETAINER SPRING	20104007	1
17	HEX.HD SCREW GB5781-86	M20×50	1	68	NUT-HEX GB6172-86	M12X1.75	2
18	ANNUL TABLE	20101015	1	69	RING RETAINING	20102024	2
19	KEY DRIFT	16103008	1	70	BEARING BALL GB276-89	60206	2
20	TUBE QUILL	20103002A	1	71	SPACER	20102023A	1
21	GASKET QUILL	20103006	1	72	PULLEY INSERT	20102022	1
22	BEARING BALL GB276-89	80204	1	73	PULLEY SPINDLE	20105009C	1
23	WASHER	20103003	1	74	LEFT-NUT	20102025	1
24	RING LOCKING	20103004	1	75	V-BELT	201050010E	1
25	LOCK NUT	20103005	1	76	GUARD	20105000D	1
26	CHUCK	16103009G	1	77	CIRCLE-RUBBER	13105009	4
27	ARBOR	20103007	1	78	WASHER GB97.2-85	6	4
28	SHAFT SPINDLE	20103001	1	79	SCREW PAN GB818-85	M6×8	6
29	BEARING BALL GB276-89	80206	1	80	PULLEY MOTOR	20105005K	1
30	THRUST BEARING GB301-88	8706	1	81	HEX.HD SCREW GB5781-86	M8×12	1
31	SWITCH	CK-1	1	82	V-BELT	16205011A	1
32	SWITCH ROCKER	16102012C	1	84	BEARING BALL GB276-89	60202	2
33	SWITCH PLATE	20102009N	1	85	MIDDLE PULLEY	20105006C	1
34	SCREW PAN GB818-85	M5×16	4	86	MIDDLE AXLE	20105007	1
35	BOX-SWITCH	20102008A	1	87	HEAD	20102001K	1
36	SCREW PAN HD.GB818-85	M5×6	2	88	KNOB	16105008	1
37	STAR WASHER GB862.1-87	5	2	89	WRENCH HEX"L" GB5356-85	S3	1
38	NUT-HEX GB6172-86	M10	1	90	WRENCH HEX"L" GB5356-85	S4	1
39	SOCKET SET SCREW	16102021	1	91	WRENCH HEX"L" GB5356-85	S5	1
40	NIP-KEY	16103011	1	92	WRENCH HEX"L" GB5356-85	S6	1
41	SCREW PAN HD.GB818-85	M5×10	1	93	CORD&PLUG	DLCMFF3Z13	1
42	DEPTH STOP RING	16104003C	1	94	KEY-CHUCK	16103009G-1	1
43	SHAFT PINION	201104002B	1	95	SCREW PAN GB70-85	M8X40	1
44	ROLL PIN GB119-86	6X16	1	96	EYE-SHIELD	20108002	1
45	HANDLE	20104001D	1	97	adjusted nut	16108005-6	2
46	HANDLE BELT TENSION	20102004	1	98	stop washer	16108005-4	1
47	RETAINING RING GB894.1-86	186	1	99	adjust	201108005-5	1
48	ROLL PIN GB879-86	φ6×25	2	100	lock nut	16108005-2	1
49	KNOB MOTOR ADJUST	16101013D	2	101	collar	20108005-1	1
50	MOTOR SUPPORT BRA (R)	20102003	1	102	NUT-HEX GB170-86	M10	1
51	MOTOR SUPPORT BRA (L)	20102002	1	103	SCREW PAN GB70-85	M8X30	1